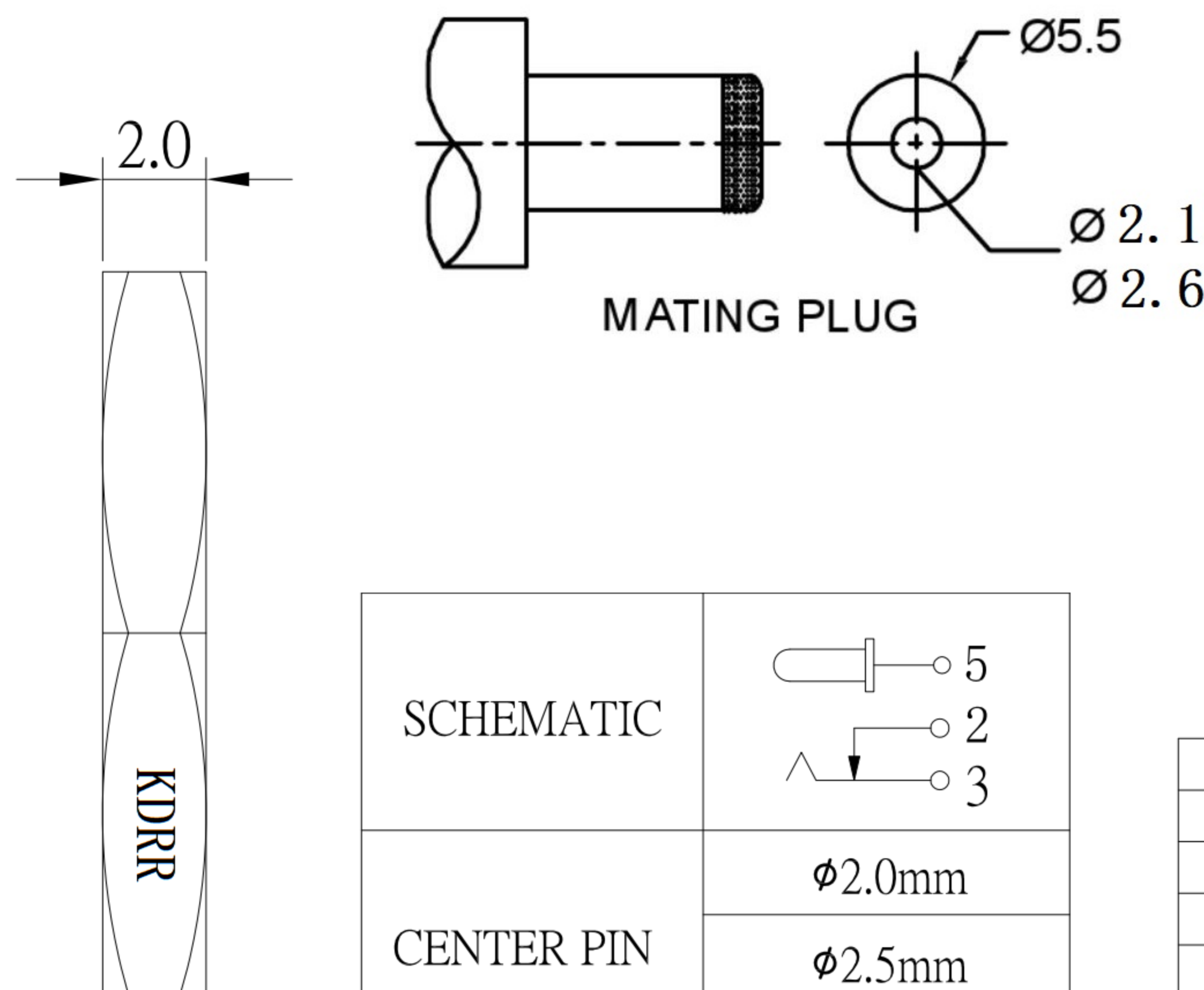
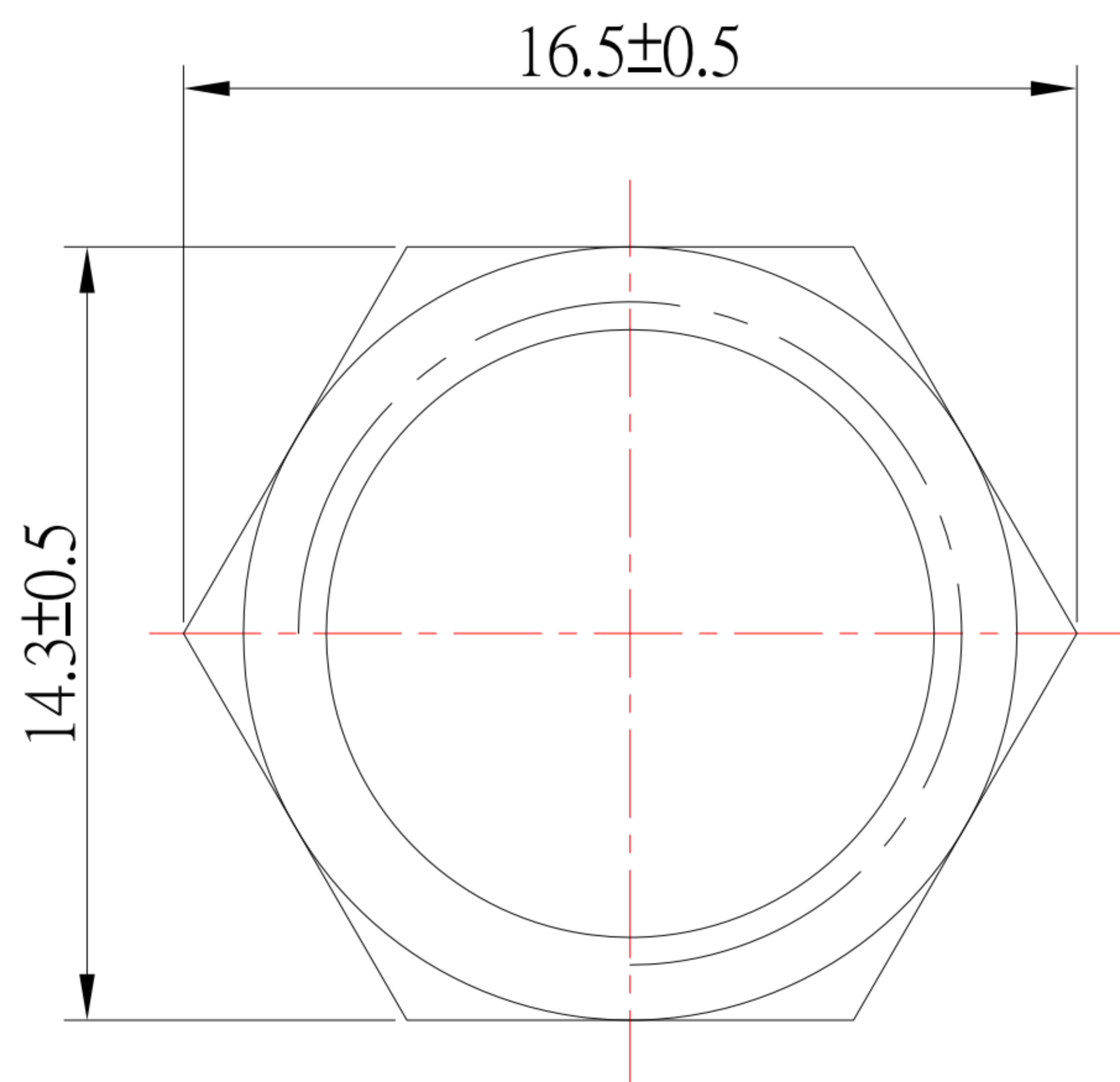


P.C.B LAYOUT
TOP VIEW



MATING PLUG

SPECIFICATION

1. Rating : DC 30V , 1.0A 30A
2. Contact resistance : $\leq 30m\Omega$
3. Insulation resistance : $\geq 100M\Omega$
4. Withstand voltage : 500VAC
5. Insertion and extraction force : 3-20N
6. life test : 5,000 cycles

SCHEMATIC	
CENTER PIN	$\phi 2.0mm$
	$\phi 2.5mm$

NO.	DESCRIPTION	QTY	MATERIAL	PLATING
⑥	COVER	1	PF	
⑤	CONTACT FOOT	1	BRASS	Sn-Plating
④	PIN	1	BRASS	Ni-Plating
③	SPRING	1	PHOSPHOR BRONZE	Sn-Plating
②	FLAT PIECE	1	BRASS	Sn-Plating
①	HOUSING	1	PBT	

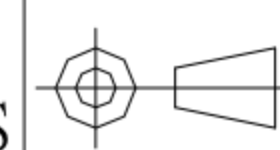


东莞市高迪电子有限公司
Dong Guan KDRR Electronic Switch Jack Co., Ltd.

TOLERANCE UNLESS OTHERWISE STATED:

Up to 5	± 0.2
Above 5 ~ 15	± 0.3
Above 15 ~ 30	± 0.4
Above 30 ~ 50	± 0.5
Angle	$\pm 0.3^\circ$

3RD. ANGEL'S



UNITS MM

DRAWN BY:	DATE
Ming Ming Zou	6/8/23
CHECKED BY:	DATE
Ning Ning Su	6/8/23
APPROVED BY:	DATE
Jia Xiang	6/8/23

MAT'L	TITLE	JACK
FINISH	MODLE	DC JACK
SCALE	DWG NO.	
SHEET NO.	PART NO.	
1 of 1		

ITEM NO.	DESCRIPTION	DRAWN	DATE
4	更新材質	Jack	050420
3	更新尺寸	Jack	121119
2	更新尺寸標示位置	Jack	082719
1	更新尺寸	Jack	080519

SIZE
A4
VER
R4